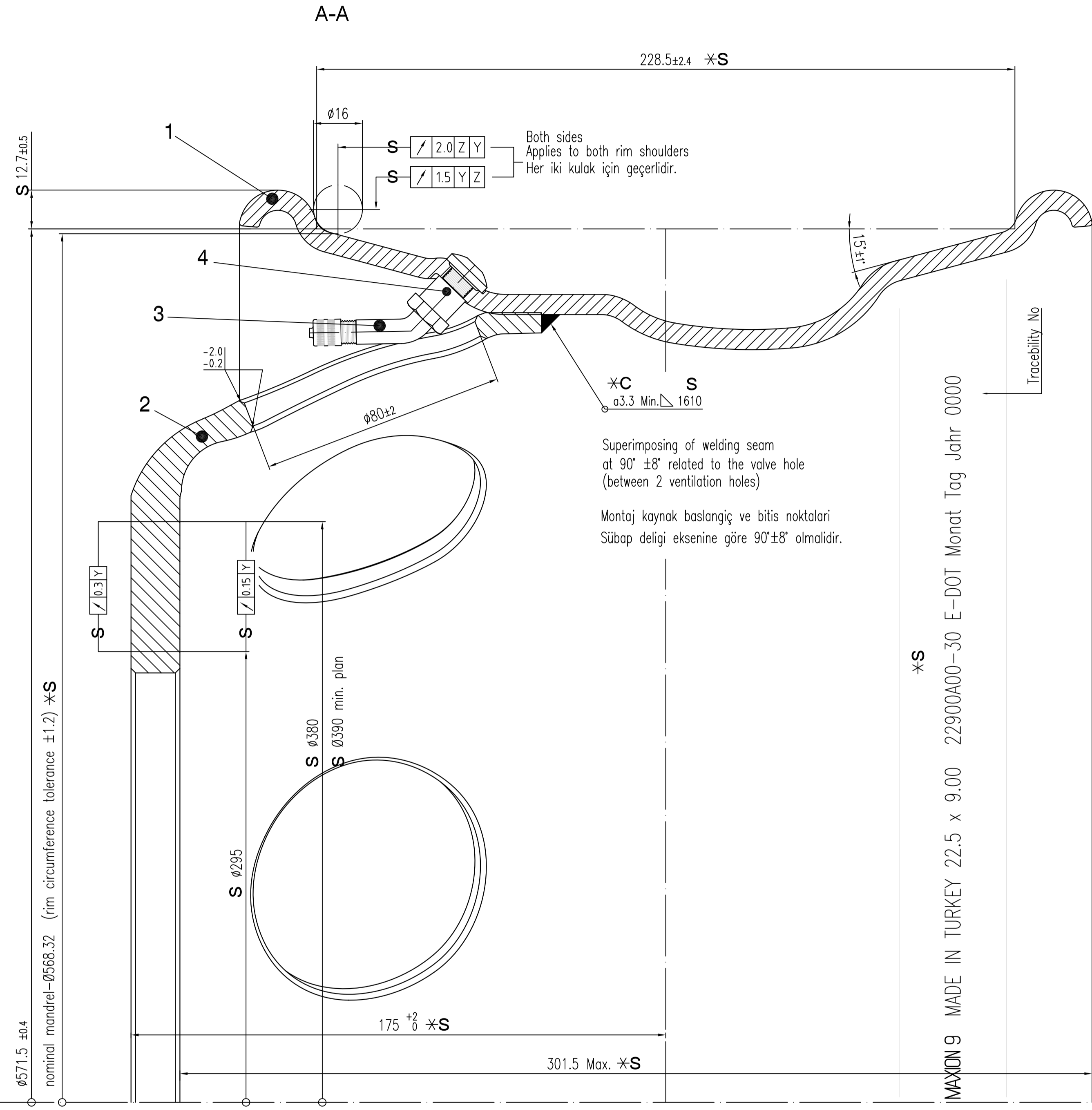
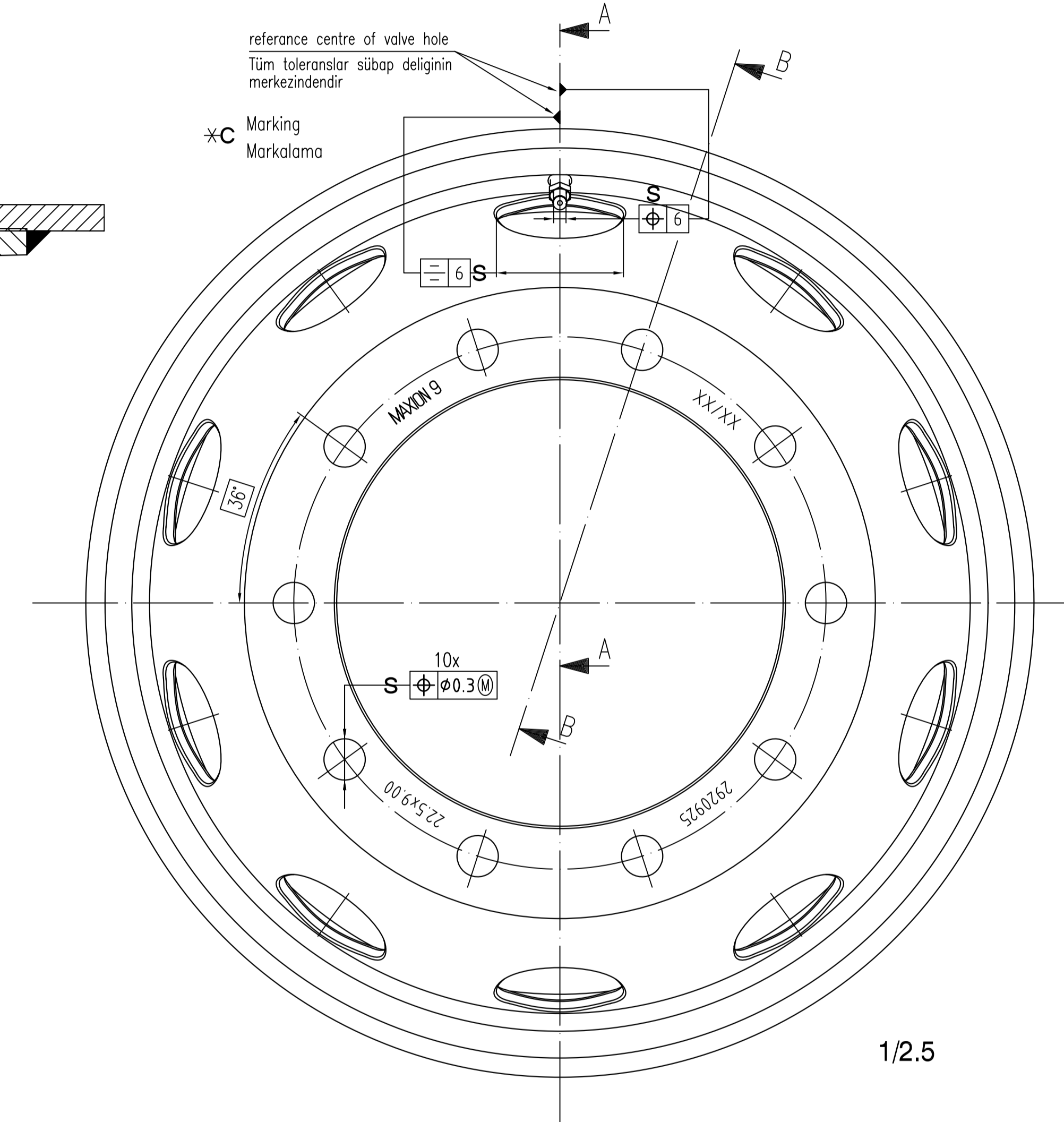
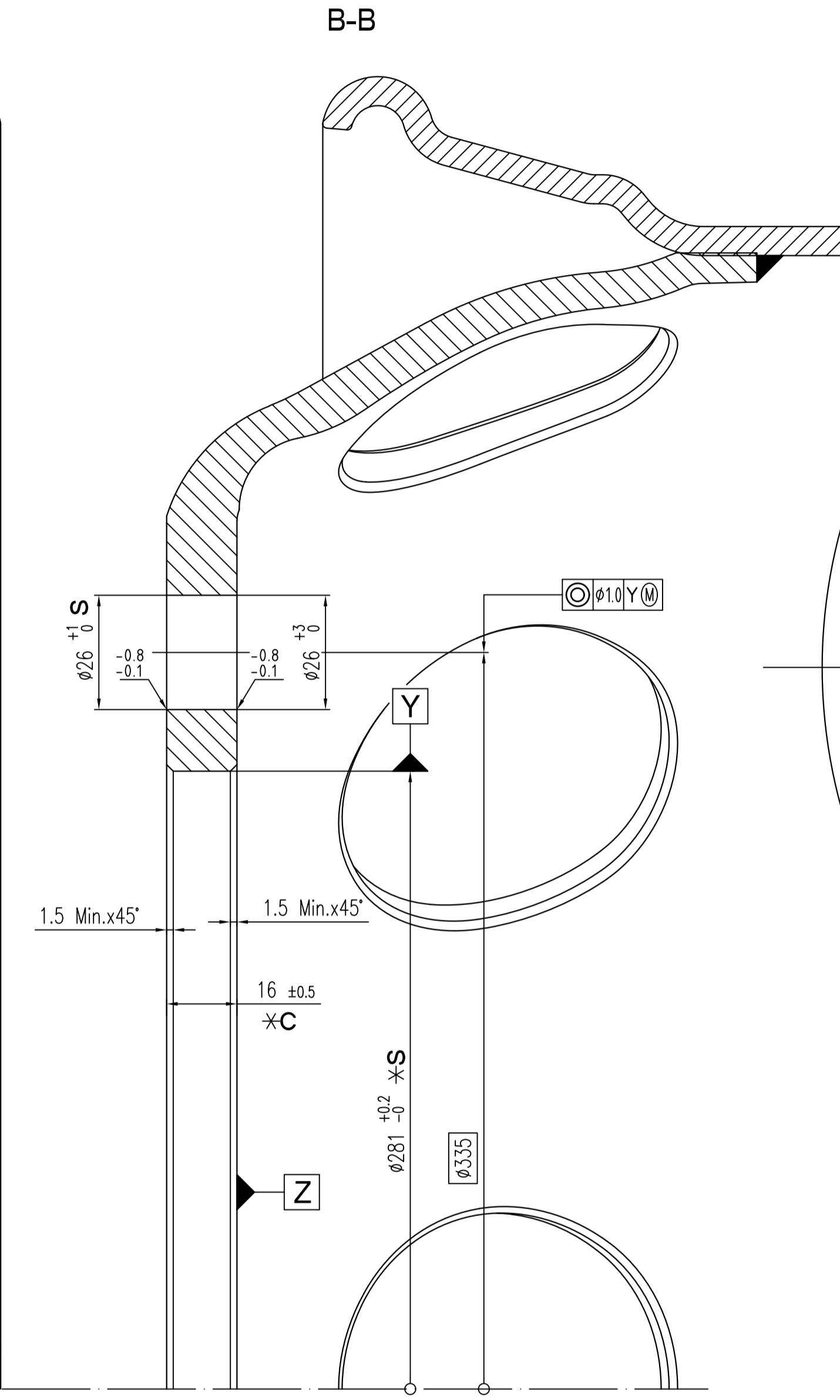


Ind.	Revision	Date	Changed / Checked
1	Wheel weight changed	09.04.19	S.KARACA / Ö.ÖZTÜRK

*S Torque of valve nut 12+2 Nm
Sübab somun torku 12+2 Nm



*S
alive IMAXION 9 MADE IN TURKEY 22.5 x 9.00 22900A00-30 E-DOT Monat Tag Jahr 0000



*C Item for documentation, safety critical
*S Item for documentation, significant
S significant item

*C Dökümantasyon gerekli, emniyet , kiritik
*S Dökümantasyon gerekli, önemli
S Onemli

Tasima Kapasitesi (6000 Kg)
Load Capacity (6000 Kg)

Musade edilen balansizlik 2000 grcm
(Statik balansizlik 70 gr.)
Acceptable Max. unbalances is 2000 grcm
(Statik unbalances is 70 gr.)



No	Number	Part Name	Std	Material	Section Size	Weight	Description
4	1	VALVE NUT					V9.07.4
3	1	VALVE					V3.22.1
2	1	DISC		1953 *C			22920925
1	1	RIM		2242 *C			22900A00-30

Drawn by	03.12.2018	S.KARACA
Checked by	03.12.2018	S.KARACA
Approved by	03.12.2018	Ö.ÖZTÜRK

MAXION WHEELS
JANTAŞ Jant Sanayi ve Ticaret A.Ş.
MANİSA / TÜRKİYE

WHEELS
a division of İÇİPE-MAXION

CAD-System : AutoCAD Mechanical

Applied to General Tolerance
DIN ISO 2768 - m

Scale :
1/1 - 1/2.5 - 2/1

Weight :
44 Kg

Customer : *
Customer No :

Sap No:

2920925 000 81

Order No :

output

A1